

MESSRS : All the companies

Product Drawing

CUSTOMER'S PRODUCT NAME:

TDK PRODUCT NAME: DC/DC CONVERTER UNIT ALD-214012PJ111

***Notice**

Product Drawing is not contract. This is only technical data.

This technical data may change internal description without any notice.

When you design final product please request us specification through our sales or distributors.

After you receive the specification, the contract is effective on signature of the specification.



TDK-Lambda Corporation

PREPARED BY	APPROVED BY	AUTHORIZED BY
<i>K.Oshima Apr./9th/2010</i>	<i>K.Yamaishi Apr./9th/2010</i>	<i>H.Masuoka Apr./9th/2010</i>

DWG.No.

CTR-3554-E

Precautionary Notes Regarding the Use of This Converter

When using this product, give due consideration to the precautionary notes described below and ensure a safe design. Inappropriate use may result in electric shock, injury or fire.

Caution

- This product is designed for the driving LED backlight system.
Do not use it with any other load.
- Store this product under the conditions defined in the specification document.
- Do not store this product in an environment where dust, dirt or corrosive gas(salt,acid,base, etc.) is present.
- This product is designed for use with general electronic equipment.
If it is to be used with medical equipment that directly affects human life or for the control of transportation equipment to which passengers entrust their lives, provide thorough fail-safe measures.
- Avoid using this product under high temperatures or high humidity or in an environment in which dust, dirt or any corrosive gas (salt,acid,base, etc.) is present.
Also,be careful not to allow the formation of dew condensation. It may result in damage or electric shock.
- If the product does not have a built-in protective circuit (circuit breaker, fuse, etc.), it is recommended that a fuse be used at the input stage to prevent the generation of smoke or fire in the event of a malfunction.
Even when the product has a built-in protective circuit (circuit breaker, fuse, etc.), the circuit may not function properly due to inappropriate operating conditions or power-supply capacity. It is recommended that an appropriate protective circuit (circuit breaker, fuse, etc.) be provided separately from the built-in circuit.
- Use the product only within the specified input voltage, output power, output voltage and operating temperature ranges. Exceeding these values may result in damage, etc.
- Provide a measure for the prevention of surge voltage due to lightning, etc.
Abnormal voltage may result in damage, etc.
- This product is not designed to provide resistance to radiation.
- Ripples could be superimposed on the voltage and the current in the input source connected to the inverter , depending on the impedance in the input source, wiring, etc.
When you select an input source, please check waveforms, etc on the final set.

Handling Precautions

- Do not stack multiple products on top of one another.
- Do not allow the product to come in contact with tools, etc.
- Do not apply excessive stress during installation.
It may cause chipping and cracking,resulting in damage, etc.
- Please do not use the product, when dropping it, since there is a possibility of the parts damage.

	PRODUCT NAME or MODEL,TITLE		
	DC-DC CONVERTER UNIT ALD-214012PJ111		
TDK-Lambda	NAME OF DRAWING	DRAWING No.	PAGE
	Product Drawing	CTR-3554-E	1 / 8

This product is conformity to RoHS directive.(*)

(*Conformity to RoHS Directive: This means that, in conformity with EU Directive 2002/95/EC, lead,cadmium,hexavalent chromium, and specific bromine-based flame retardants, PBB and PBDE, have not been used, except for exempted applications.

1. Range of Application

This specification applies to all the companies.

2. Product Name

The product name is DC-DC converter unit ALD-214012PJ111.

3. Contents

Item	Attched view	Page
1.Appearance,Structure and Dimensions		
Outline	refer to [1]	3
Pin configuration	refer to [1]	4
2.Characteristics		
Absolute Maximum Ratings	refer to [2]	5
3.Electrical Characteristics	refer to [3]	6
4.Measurement Circuit	refer to [4]	6,7
5.Reliability Test	refer to [5]	8
6.Others	refer to [6]	8

	PRODUCT NAME or MODEL,TITLE		
	DC-DC CONVERTER UNIT ALD-214012PJ111		
TDK-Lambda	NAME OF DRAWING	DRAWING No.	PAGE
	Product Drawing	CTR-3554-E	2

**-The specifications may be changed without any notice.
 -When placing orders, please confirm "Specifications" or "Product Drawing" through TDK, TDK-lambda sales or distributors.**

<Product Summary>

*This product is DC-DC converter that is designed for LED driver.

*This product has PWM DC dimming(Apply external DC power source or resistance), Analog dimming(Apply external DC power source) and remote on/off function.

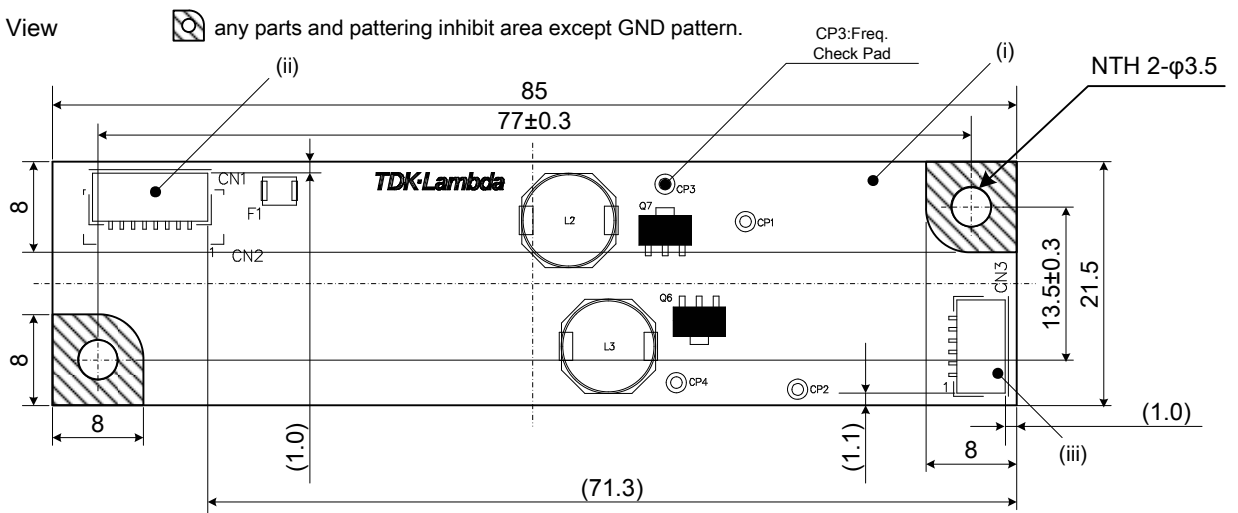
*This product has alarm function for safety operation. When load open is happened, this product limit the output voltage and output the alarm voltage.

*This product has alarm function for LED open detection. If any strings are open, CN1-8pin outputs around 5V. When all strings are connected normally, CN1-8pin outputs around 0V.

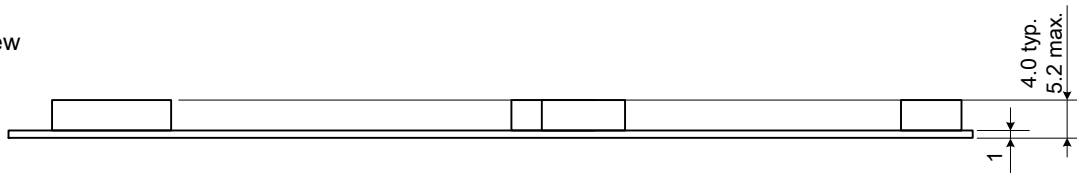
[1] Appearance, Structure and Dimensions

1-1. Outline

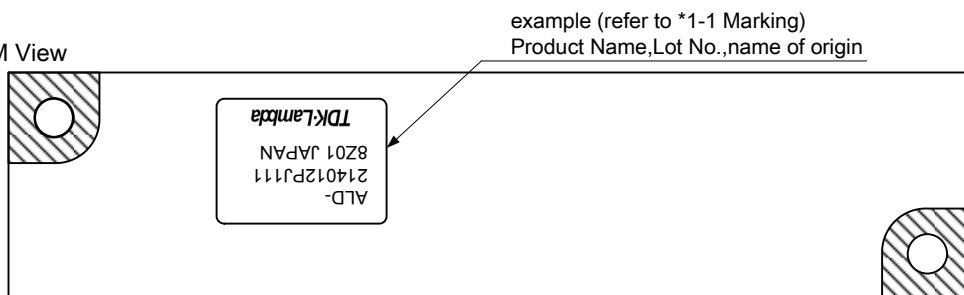
TOP View



SIDE View



BOTTOM View



When LED driver is fixing, please confirm screw head and plate form is located within above hatching area include any tolerances.

Please confirm electric continuity between the each GND via and the case such as sheet metals. Then, Please insulate the unhatching area from the case.

Unit in mm
 Mass: 9g(max)

No.	Part Description	Item/Material	Qty.	Remark	corresponding connector
(i)	Input Connector: CN1	SM08B-SRSS-TB(LF)(SN)	1	JST	SHR-08V-S-B
(ii)	Output Connector: CN3	SM06B-SRSS-TB(LF)(SN)	1	JST	SHR-06V-S-B
(iii)	Print Circuit Board: PCB	FR-4	1	UL94V-0 t=1.0mm	-

*CN2 is not installed.

TDK-Lambda	PRODUCT NAME or MODEL, TITLE		
	DC-DC CONVERTER UNIT ALD-214012PJ111		
	NAME OF DRAWING	DRAWING No.	PAGE
	Product Drawing	CTR-3554-E	3

1-2. Pin Configuration

*CN2 is not installed.

CN1:Input Connector

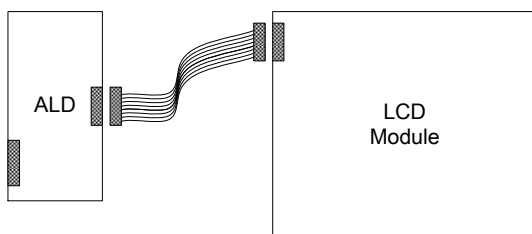
Pin No.	Symbol	Remark
CN1-1~ CN1-2	Vin	Input Voltage (Ratings: DC12V±10%)
CN1-3~ CN1-4	GND	GND
CN1-5	Vrmt	OFF:0-0.4(V) or OPEN / ON:2.5-Vin(V)
CN1-6	Vbr/Rbr	PWM Dimming MIN. Brightness : 2.5(V) or 50(kΩ) PWM Dimming MAX. Brightness : 0(V) or 0(kΩ)
CN1-7	ADIM	Analog Dimming MIN. Brightness : 2.5(V) Analog Dimming MAX. Brightness : 0(V)
CN1-8	Vst	Normal : 0(V) / Abnormal : 5(V)

CN3:Output Connector

Pin No.	Symbol	Remark
CN3-5	LED_C2	CH2 - Cathode Side
CN3-6	LED_A2	CH2 - Anode Side
CN3-7	LED_A1	CH1 - Anode Side
CN3-8	LED_C1	CH1 - Cathode Side
CN3-9	NC	no connection
CN3-10	NC	Tie to GND internally. Do not connect to other circuits.

LCD Module Wiring Example

Our company doesn't handle the cable that connects between the ALD and the LCD module. Please inquire of the Assembly maker of the cable suitable for customer's usage. The wiring example is shown as follows.



*Please use the cable that satisfies necessary condition for the maximum load voltage, the maximum working temperature, the output current, and RoHS, etc.(Example; UL10368 AWG32)
*Please confirm the LCD panel before use. Flickering or malfunction may occur when the cable is too long.

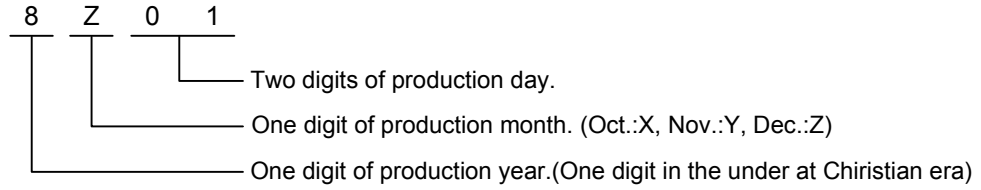
TDK-Lambda	PRODUCT NAME or MODEL, TITLE		
	DC-DC CONVERTER UNIT ALD-214012PJ111		
	NAME OF DRAWING	DRAWING No.	PAGE
	Product Drawing	CTR-3554-E	4

***1-1 Marking**

Product name, Lot No., Country of origin

1) Marking is attached on bottom side by the label.

2) Example (Dec.1st,2008)



3) Country of origin code (JAPAN, CHINA , MALAYSIA)

*1-2 For proper operation of circuit protection(IC Protector), Please use minimum of 5A capacity power supply for input.

*1-3 This product has 2.5A IC protector inside. Please confirm input current within 2.5Ao-p in any conditions.

*1-4 When rising time of input voltage is very slow, flicker may occur in start-up.

*1-5 When rising time of input voltage is very slow, please turn on with a remote terminal after the input voltage rise enough. And please turn off with a remote terminal after the input voltage decay enough.

*1-6 Please use the product only within the specified input voltage, output power, output voltage and operating temperature ranges. Do not short-circuit between the output terminals or the output terminal-GND. When deviating from these, the product might be caused the damage.

[2] Absolute Maximum Ratings

Item	Symbol	Specification	Unit	Remark
Input Voltage	Vin	0~13.2	V	
	Vrmt	0~Vin		
	Vbr/Rbr	0~5		
	ADIM	0~3		
	Vst	This terminal is output terminal. Don't apply external voltage.		
Load Voltage	Vout1,2	12.8(at Vin=10.8V) ~44	V	Minimum load Voltage > Vin+2V Please use it with heat radiated on the worst condition (input voltage, load voltage, mounting instruction, and temperature) when the following standards are used and, that the Q7 transistor package surface temperature becomes 120°C or less.
Operating Temperature Range	Ta	-30~85	degC	
Storage Temperature Range	Ts	-40~85	degC	
Humidity Limit	RH	95	%RH	A maximum wet-bulb temperature is 38 degC. No dew.

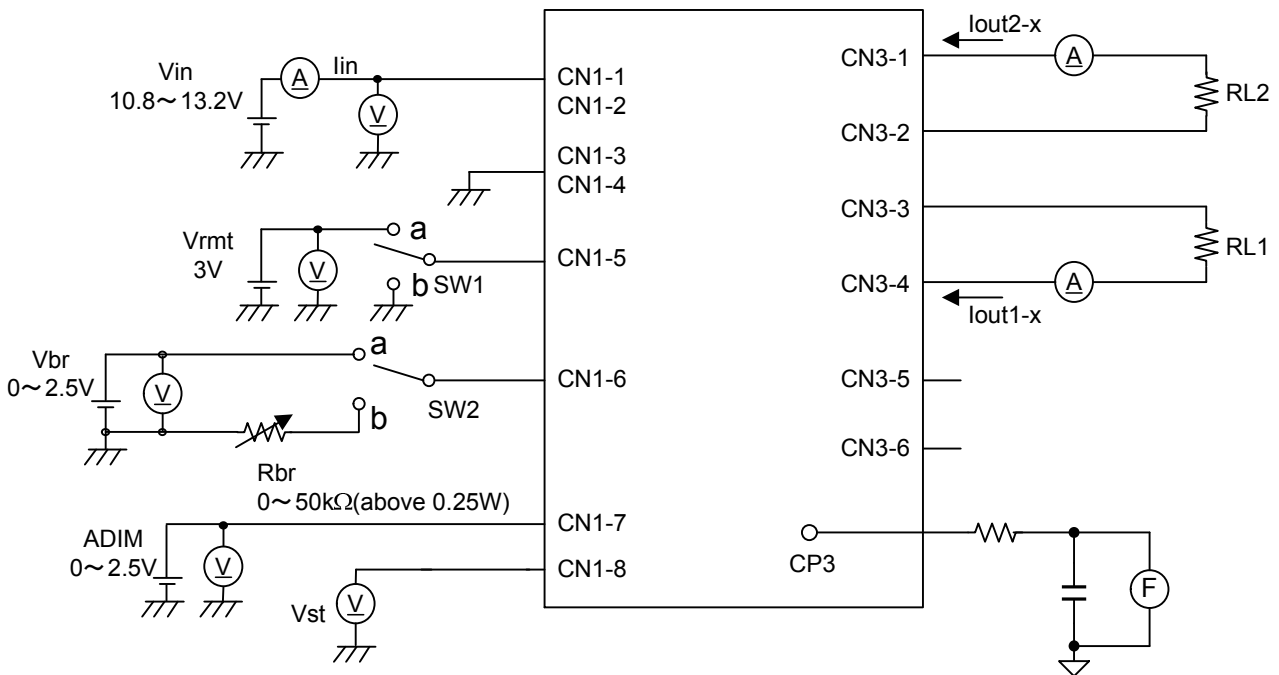
TDK-Lambda	PRODUCT NAME or MODEL,TITLE		
	DC-DC CONVERTER UNIT ALD-214012PJ111		
	NAME OF DRAWING	DRAWING No.	PAGE
	Product Drawing	CTR-3554-E	5

[3] Electrical Characteristics

Item	Symbol	Condition						Specification			Unit
		Ta(degC)	Vin(V)	Vrmt(V)	Vbr(V)	ADIM(V)	RL1,2(Ω)	MIN.	TYP.	MAX.	
Input Current1	lin1	25±10	12±0.1	3±0.05	0	0	230	0.75	0.85	0.95	A
		-30~85	10.8~13.2					0.6	0.85	1.2	
Input Current2	lin2	25±10	12±0.1	0	0	0	230	-	-	1	mA
Output Current1	lout1-1, lout2-1,	25±10	12±0.1	3±0.05	0	0	230	126	140	154	mA
		-30~85	10.8~13.2					120	140	165	
Output Current2 (PWM Dimming)	lout1-2, lout2-2	25±10	12±0.1	3±0.05	2.5	0	230	5	12	20	mA
Output Current3 (Analog Dimming)	lout1-3, lout2-3	25±10	12±0.1	3±0.05	0	2.5	1800	4	12	24	mA
PWM Burst Frequency	F	25±10	12±0.1	3±0.05	2.5	0	230	160	200	240	Hz
Alarm Output *3-1	Vst1	25±10	12±0.1	3±0.05	0	0	230	-	0.1	0.5	V
	Vst2	25±10	12±0.1	3±0.05	0	0	∞	4.5	5.0	5.5	V

*3-1 This converter has alarm output function. If converter detects OVP or any strings open, Vst terminal outputs around 5V. If a string open condition occurs, other strings keep on working.

[4] Measurement Circuit



*Please refer to 1-1 Pin configuration in detail.

RL1,2: Equivalent Load (above 15W)

TDK-Lambda	PRODUCT NAME or MODEL, TITLE		
	DC-DC CONVERTER UNIT ALD-214012PJ111		
	NAME OF DRAWING	DRAWING No.	PAGE
	Product Drawing	CTR-3554-E	6

*4-1. SW1 function

SW1	ON/OFF control
a	Operating
b	Not operating
オープン	Not operating

*4-2. SW2 function

SW2	PWM Dimming
a	*PWM DC Dimming Vbr=0~2.5V
b	*PWM Volume Dimming VR=0~50kΩ

* Vbr=0V: maximum brightness
Rbr=0Ω: maximum brightness

*4-3. Measurement Equipment

- ⓧ : DC Voltage Meter
(ADVANTEST R6452A or equivalent)
- ⓐ : DC Current Meter
(ADVANTEST R6452A or equivalent)
- ⓕ : Frequency Counter
(ADVANTEST R6452A or equivalent)

*4-4. Protection Circuit Behaviour

Load Condition	Alarm output (CN1-8)*1	Latch up
normal	0.5V max.	No Latch up
any strings open	4.5V min.	No Latch up
all strings open	4.5V min.	No Latch up

*4-5 . Notice of the alarm output

The alarm output might be generated at the transition state of ON/OFF by Vrrmt or Vin.

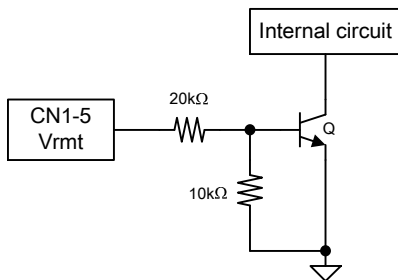
*1. In steady state alarm output keeps under 0.5V.

If any strings open or all strings open condition occurs, alarm output goes high around 5V.

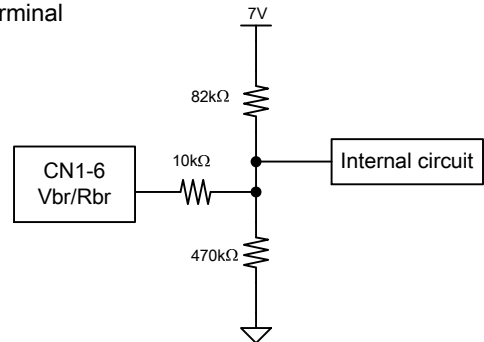
*2 This converter does not shutdown in any conditions.

*4-6 . Internal circuit connection (It is not a guaranteed value)

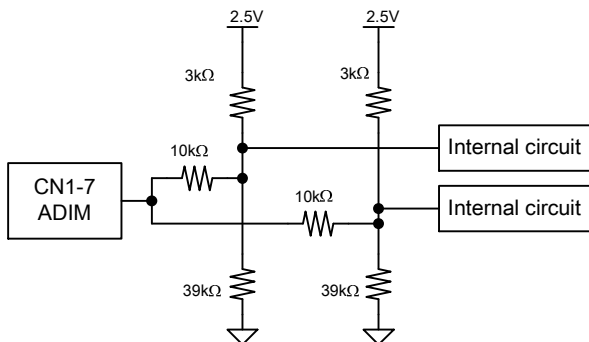
Vrrmt terminal



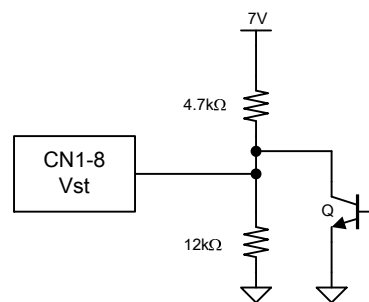
Vbr/Rbr terminal



ADIM terminal



Vst terminal



*4-7. In PWM or Analog Dimming operation, please confirm the LCD panel before use. Flickering may occur due to ripple noise is on Dimming pin(CN1-6 / CN1-7).

TDK-Lambda	PRODUCT NAME or MODEL, TITLE		
	DC-DC CONVERTER UNIT ALD-214012PJ111		
	NAME OF DRAWING	DRAWING No.	PAGE
	Product Drawing	CTR-3554-E	7

[5] Reliability Test

This product is satisfied following reliability test.

Item	Condition	Judgement Standard
High Temperature Continuous Operation	85degC 500hrs.	Electrical and apperance should be in the spec.
Heat Shock	-40degC <-> 85degC 30min./each 100cycles	
Humidity Environment Off and on Operation	60degC 90%R.H. On 1hr / Off 3hrs. 100cycles.	
Vibration	5~10Hz Amplitude 10mm 10~200Hz Accerarated Verocity 21.6m/s ² (2.2G) Log Sweep :10min. X,Y,Z direction 60min/each total 3hrs.	
Shock	588m/s ² (60G) 11ms Half-sine wave once each axis X,Y,Z,-X,-Y,-Z total 6times	

[6] Others

6-1. Test Conditions

Unless otherwise specified test environment is determined as temperature is (20±15)degC and humidity is (65±20)%RH.

6-2. Warranty

One year after shipment. Defective products are exchanged during the warranted term free of charge.

6-3. Others

Our company and customer are to discuss changes, problems, and modifications when needed.

TDK-Lambda	PRODUCT NAME or MODEL,TITLE		
	DC-DC CONVERTER UNIT ALD-214012PJ111		
	NAME OF DRAWING	DRAWING No.	PAGE
	Product Drawing	CTR-3554-E	8