

MESSRS :

PRODUCT DRAWING

CUSTOMER'S PRODUCT NAME:

TDK PRODUCT NAME: DC-AC INVERTER UNIT
CXA-L0612B-VxL

TDK-Lambda

TDK Corporation

Corporate Headquarters
13-1,Nihonbashi 1-chome,Chuo-ku,
Tokyo 103,JAPAN
Telephone : 03-3278-5111

| PREPARED BY | APPROVED BY | AUTHORIZED BY |
|-----------------------------------|-----------------------------------|---------------------------------|
| <i>Dec. 09, 2006 Y.kimura</i> | <i>Dec. 09, 2006 N.Suzuki</i> | <i>Dec. 09, 2006 T.Sato</i> |

| | |
|---------|------------|
| DWG.No. | CTR-2523-A |
|---------|------------|

Precautionary Notes Regarding the Use of This Inverter

When using this product, give due consideration to the precautionary notes described below and ensure a safe design. Inappropriate use may result in electric shock, injury or fire.

Warning



- This product is subject to high voltage. Do not touch it while the power is on. Failing to do so may result in electric shock.

Caution

- This product is designed for the lighting of a Cold Cathode Fluorescent Lamp. Do not use it with any other load.
- Store this product under the conditions defined in the specification document.
- Do not store this product in an environment where dust, dirt or corrosive gas(salt,acid,base, etc.) is present.
- This product is subject to high voltage. If there is a possibility that the user may touch the product, provide a proper indication in order to draw the user's attention.
- This product is designed for use with general electronic equipment. If it is to be used with medical equipment that directly affects human life or for the control of transportation equipment to which passengers entrust their lives, provide thorough fail-safe measures.
- Avoid using this product under high temperatures or high humidity or in an environment in which dust, dirt or any corrosive gas (salt,acid,base, etc.) is present. Also, be careful not to allow the formation of dew condensation. It may result in damage or electric shock.
- If the product does not have a built-in protective circuit (circuit breaker, fuse, etc.), it is recommended that a fuse be used at the input stage to prevent the generation of smoke or fire in the event of a malfunction. Even when the product has a built-in protective circuit (circuit breaker, fuse, etc.), the circuit may not function properly due to inappropriate operating conditions or power-supply capacity. It is recommended that an appropriate protective circuit (circuit breaker, fuse, etc.) be provided separately from the built-in circuit.
- Use the product only within the specified input voltage, output power, output voltage and operating temperature ranges. Exceeding these values may result in damage, etc.
- Provide a measure for the prevention of surge voltage due to lightning, etc. Abnormal voltage may result in damage, etc.
- To prevent problems arising from short-circuiting of the high-voltage section, provide appropriate measures to prevent the entry of foreign substances following installation.
- This product is not designed to provide resistance to radiation.
- Ripples could be superimposed on the voltage and the current in the input source connected to the inverter, depending on the impedance in the input source, wiring, etc. When you select an input source, please check waveforms, etc on the final set.

Handling Precautions

- This product uses thin wires. Observe the following precautions and handle it with care so as not to cause wire breakage. Broken wire may result in damage, etc.
 - ❖ Do not stack multiple products on top of one another.
 - ❖ Do not allow the product to come in contact with tools, etc.
- Do not apply excessive stress during installation. It may cause chipping and cracking, resulting in damage, etc.
- Provide clearance between the high-voltage section of this product and the frame body on which the product is installed and also the conductor section as per listed on page 2, [1] "Outline".
- Please do not use the product, when dropping it, since there is a possibility of the parts damage. Please confirm abnormality is not found in the product enough when using it by any chance.

| No. | MATERIALS NAME | QU | MATERIAL | REMARK |
|-------------------------------|----------------|----|-------------|--------|
| PRODUCT NAME or MODEL, TITLE | | | | |
| DC-AC INVERTER CXA-L0612B-VxL | | | | |
| NAME OF DRAWING | | | DRAWING No. | PAGE |
| PRODUCT DRAWING | | | CTR-2523-A | 1 |

TDK CORPORATION

1. Part Name

The part name is CXA-L0612B-VxL.

2. Contents

| Item | Section | Page |
|-------------------------------------|-----------------|------|
| 1.Outline | | |
| 1-1.Outline | See Section [1] | 3~4 |
| 1-2.Connector Configuration | See Section [1] | 4~5 |
| 2.Equivalent Characteristics | | |
| Absolute Maximum Ratings | See Section [2] | 5 |
| 3.Electrical specifications | See Section [3] | 5 |
| 4.Test Circuit | See Section [4] | 6 |
| 5.Reliability Test | See Section [5] | 7 |
| 6.Packing and Marking | See Section [6] | 8 |
| 7.Others | | |
| Test conditions | See Section [7] | 8 |
| Warranty | See Section [7] | 8 |
| Disposition for non-conforming lots | See Section [7] | 8 |
| MTTF | See Section [7] | 8 |
| Others | See Section [7] | 8 |

| No. | MATERIALS NAME | QU | MATERIAL | REMARK |
|-------------------------------|----------------|-------------|----------|--------|
| PRODUCT NAME or MODEL,TITLE | | | | |
| DC-AC INVERTER CXA-L0612B-VxL | | | | |
| NAME OF DRAWING | | DRAWING No. | | PAGE |
| PRODUCT DRAWING | | CTR-2523-A | | 2 |

Listed description are subject to change without notice.

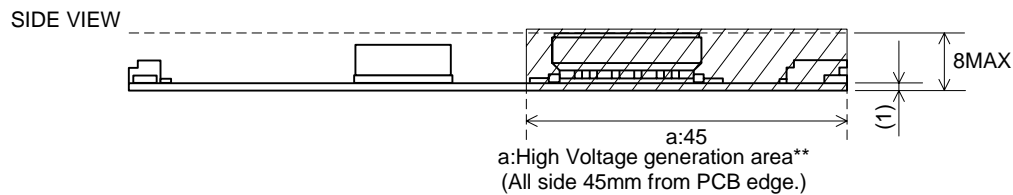
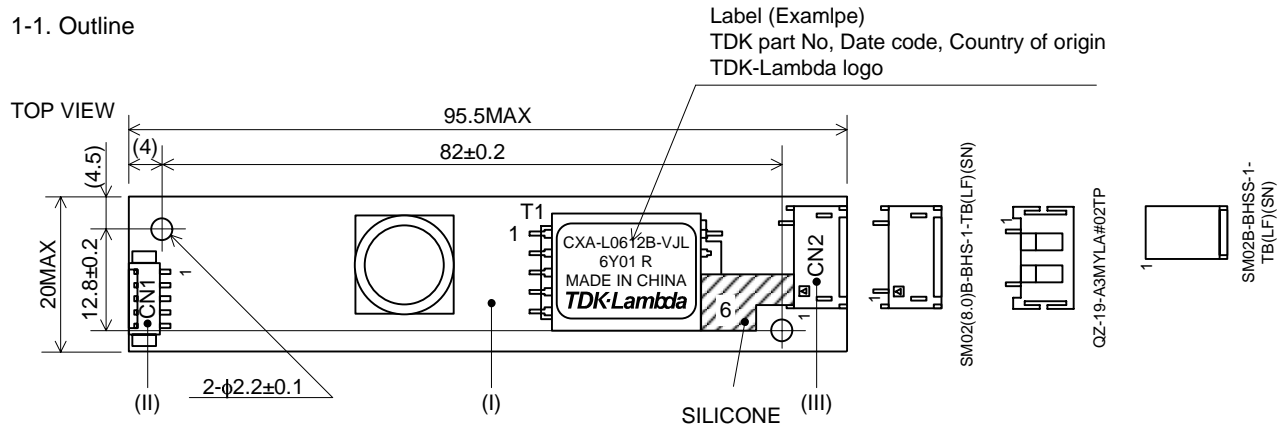
****Features****

- This inverter is for one lamp. It has Dimming function and Remote function.
- The high-voltage area is coated with silicone so as to avoid the defects caused by dust.
- This product is conformity to RoHS directive.*1

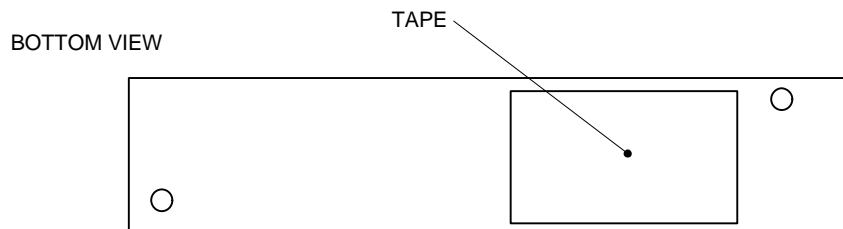
*1 : Conformity to RoHS Directive: This means that, in conformity with EU Directive 2002/95/EC, lead, cadmium, hexavalent chromium, and specific bromine-based flame retardants, PBB and PBDE, have not been used, except for exempted applications.

[1] Outline

1-1. Outline



**Please secure the air clearance of 3mm or more from the high voltage generation area up and down and right and left. Please refer to Note1-4. for details.



Unit:mm
Weight:13.7g.typ.

| No. | Part Description | Material | QU. | REMARK | MATES WITH |
|-------|----------------------|-----------------------------|-----|---------------|-------------|
| (I) | PCB | Composite (CEM-3) | 1 | UL94V-0 t=1.0 | - |
| (II) | Input Connector CN1 | 53261-0571 | 1 | MOLEX | 51021-0500 |
| (III) | Output Connector CN2 | SM02(8.0)B-BHS-1-TB(LF)(SN) | 1 | JST | BHR-03VS-1 |
| | | QZ-19-A3MYLA#02TP | 1 | HONDA | QZ-19-3F01 |
| | | SM02B-BHSS-1-TB(LF)(SN) | 1 | JST | BHSR-02VS-1 |

| No. | MATERIALS NAME | QU | MATERIAL | REMARK |
|-------------------------------|-----------------|----|-------------|--------|
| PRODUCT NAME or MODEL, TITLE | | | | |
| DC-AC INVERTER CXA-L0612B-VxL | | | | |
| TDK CORPORATION | NAME OF DRAWING | | DRAWING No. | PAGE |
| | PRODUCT DRAWING | | CTR-2523-A | 3 |

*Example of naming product

C X A - L 0 6 1 2 B - V x L

Inverter.

Output power : 4~5W.

Output current : 6mArms type.

Input voltage :12V type.

Power improvement goods of CXA-L0612.

CN2 high voltage output side terminal position :
L-Leftside sees from insert terminal.

Output connector : J- JST SM02(8.0)B-BHS-1-TB(LF)(SN)
H- HONDA QZ-19-A3MYLA#02TP
S- JST SM02B-BHSS-1-TB(LF)(SN)

Adjustment of brightness method : Voltage amplitude control method to put current feedback.

1-2. Connector Configuration

Input side CN1

| Pin No. | Symbol | Rating | Notes |
|---------|--------|---------------|--|
| CN1-1 | Vin | 9.6~14.4V | |
| CN1-2 | GND | 0V | |
| CN1-3 | Vrmt | 0V / 2.5V~Vin | 0~0.4V : OFF 2.5V~Vin : ON Remote terminal |
| CN1-4 | Vbr | 0~4V | Brightness terminal |
| CN1-5 | N.C. | - | For an internal circuit use. Don't connect. |

Output side CN2
(CXA-L0612B-VJL)

| Pin No. | Symbol | Rating |
|---------|--------|----------------|
| CN2-1 | VHIGH | 600Vrms 6mArms |
| CN2-2 | N.C. | - |
| CN2-3 | VLOW | (2V) |

Output side CN2
(CXA-L0612B-VHL)

| Pin No. | Symbol | Rating |
|---------|--------|----------------|
| CN2-1 | VLOW | (2V) |
| CN2-2 | N.C. | - |
| CN2-3 | VHIGH | 600Vrms 6mArms |

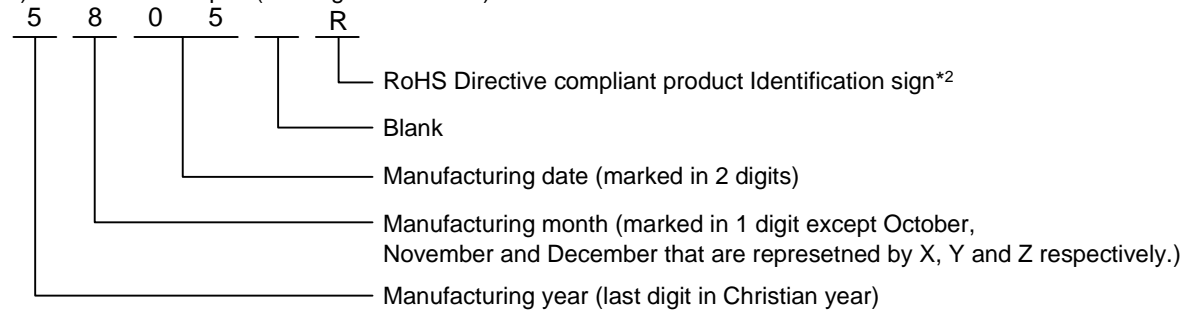
Output side CN2
(CXA-L0612B-VSL)

| Pin No. | Symbol | Rating |
|---------|--------|----------------|
| CN2-1 | VHIGH | 600Vrms 6mArms |
| CN2-2 | VLOW | (2V) |

Note1-1. Marking of TDK part No, Date code, Country of origin.

1) TDK part No., Date code, Country of origin, is marked on the transformer.

2) Date code example. (ex. August. 05. 2005)



3) Country of origin code example. (ex. MADE IN JAPAN. MADE IN CHINA).

*2 : Conformity to RoHS Directive: This means that, in conformity with EU Directive 2002/95/EC, lead, cadmium, hexavalent chromium, and specific bromine-based flame retardants, PBB and PBDE, have not been used, except for exempted applications.

| No. | MATERIALS NAME | QU | MATERIAL | REMARK |
|-------------------------------|-----------------|----|-------------|--------|
| PRODUCT NAME or MODEL, TITLE | | | | |
| DC-AC INVERTER CXA-L0612B-VxL | | | | |
| TDK CORPORATION | NAME OF DRAWING | | DRAWING No. | PAGE |
| | PRODUCT DRAWING | | CTR-2523-A | 4 |

Note1-2. For connector pins assignment, please refer to inverter mechanical specification as it may differ from manufacturer pins assignment.

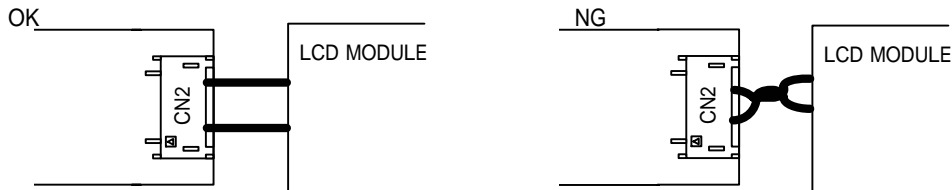
Note1-3. For circuit connection, please refer to test circuit diagram [4].

Note1-4. Please use minimum of 3mm clearance (all directions) between inverter high voltage area and any conductors. Please refer to mechanical drawing for marking of high voltage area.

Note1-5. Open voltage (strike voltage) is measured across the transformer secondary winding at no load as the reading at the output connector would be less than the actual value.

Note1-6. If the start up voltage falls below Cold Cathode Tube strike voltage, the CCFL will not light up easily specially at lower ambient temperature. Please review mounting instruction to avoid any abnormal operation due to coupling/leakage capacitance of inverter high voltage area to any surrounding conductor. Please refer to fig1.

Fig.1



Note1-7. Please check your lamp characteristic for minimum operational current and set the limit point in your design to avoid flickering and/or abnormal operation.

Note1-8. For proper operation of circuit protection (FUSE or IC PROTECTOR), Please use minimum of 2.5A capacity for input power supply.

[2] Absolute maximum ratings

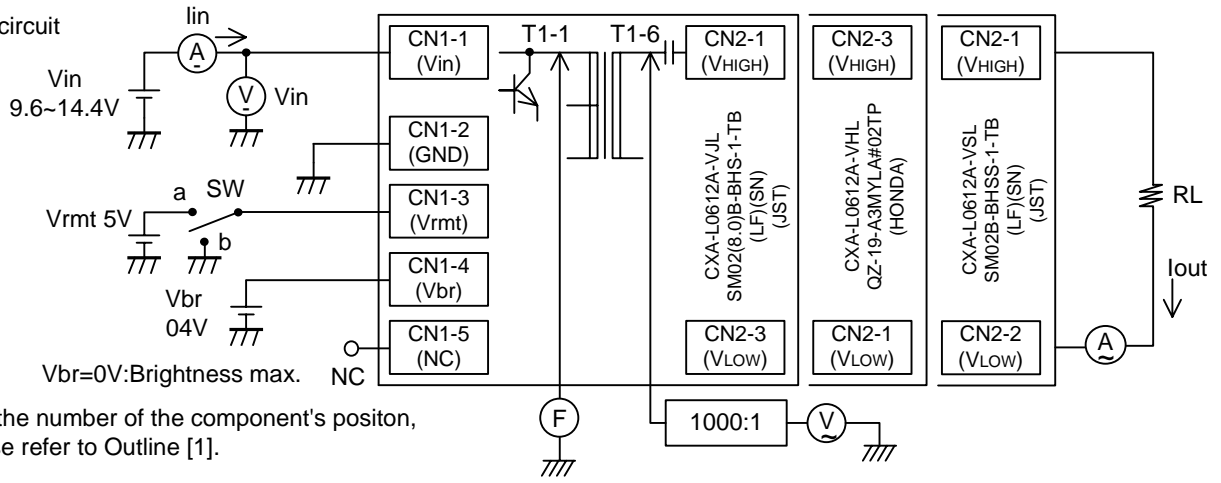
| Item | Symbol | Specification | Unit | Notes |
|-----------------------|--------|---------------|------|--|
| Input Voltage | Vin | 0~16 | V | |
| Load Resistance | RL | 130max. | kΩ | 110MAX at output voltage 10.8V or less |
| Operating Temp. range | Ta | -20 ~ 70 | °C | |
| Storage Temp. range | Ts | -30~85 | °C | |
| Humidity range | RH | 95 | %RH | A maximum wet ball temperature is 38 °C. No dew. |

[3] Electrical specifications

| Item | Symbol | Condition | | | | Specification | | | Unit |
|----------------------------------|-----------------|-----------|--------|--------|---------|---------------|------|------|-------|
| | | Vin(V) | Ta(°C) | RL(kΩ) | Vbr (V) | MIN. | TYP. | MAX. | |
| Output Current (Brightness max.) | Iout1/ Iout2 | 9.6~14.4 | 18~28 | 100 | 0 | 5.4 | 6.0 | 6.6 | mArms |
| | | 9.6~14.4 | -20~70 | 90~130 | 0 | 5.3 | 6.0 | 6.7 | |
| Output Current (Brightness min.) | Iout1/ Iout2 | 9.6~14.4 | 18~28 | 520 | 4 | 1.3 | 1.6 | 1.9 | |
| Input Current | Iin | 12 | -20~70 | 90~130 | 0 | - | 0.40 | 0.65 | A |
| Frequency | F | 9.6~14.4 | -20~70 | 90~130 | 0 | 48 | 58 | 68 | kHz |
| Open Circuit Voltage | Vopen | 9.6~14.4 | -20~70 | ∞ | 0~3 | 1500 | 1800 | - | Vrms |

| No. | MATERIALS NAME | QU | MATERIAL | REMARK |
|-------------------------------|----------------|----|-------------|--------|
| PRODUCT NAME or MODEL, TITLE | | | | |
| DC-AC INVERTER CXA-L0612B-VxL | | | | |
| NAME OF DRAWING | | | DRAWING No. | PAGE |
| PRODUCT DRAWING | | | CTR-2523-A | 5 |

[4] Test circuit



*About the number of the component's position, please refer to Outline [1].

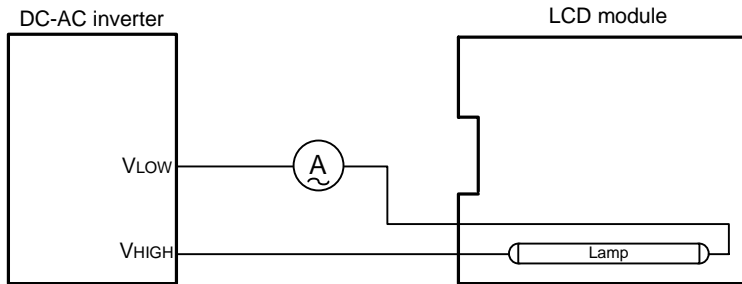
Note4-1.SW(ON/OFF) Operation is as following;

| SW | Operation of unit |
|----|-------------------|
| a | Operation |
| b | Non operation |

Note 4-2.Measuring apparatus

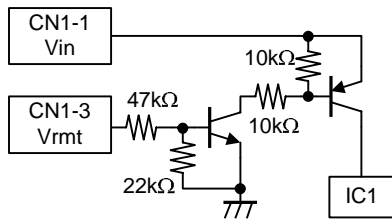
- (V) Digital Multiple Meter(ADVANTEST R6452A or equivalent)
- (A) DC Current Meter(ADVANTEST R6452A or equivalent)
- (V) True RMS Meter(NF Circuit M2170or equivalent)
- (F) Frequency Counter(ADVANTEST R6452A or equivalent)
- (A) High Frequency Current Meter(FLUKE187or equivalent)
- 1000:1 High Voltage Probe(Tektronix P6015A or equivalent)

Connection diagram of LCD module (Reference)

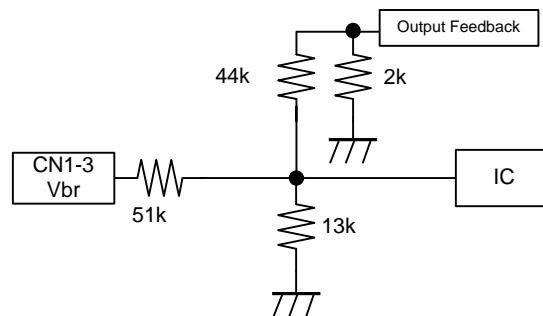


*Connect the High Frequency Current Meter to the Low-Voltage (VLOW) side.

Vrmt terminal circuit (Reference)



Vbr terminal circuit(Reference)



| No. | MATERIALS NAME | QU | MATERIAL | REMARK |
|-------------------------------|----------------|----|-------------|--------|
| PRODUCT NAME or MODEL,TITLE | | | | |
| DC-AC INVERTER CXA-L0612B-VxL | | | | |
| NAME OF DRAWING | | | DRAWING No. | PAGE |
| PRODUCT DRAWING | | | CTR-2523-A | 6 |

TDK CORPORATION

[5] Reliability test

Following test items are assured.

| Item | Condition | Judgement |
|----------------------------|---|---|
| Low Temp.Non operational | -40°C 500h | Electrical and apperance should be in the spec. |
| Low Temp.operational | -30°C 500h Load cond.:TYP | |
| High Temp.Non operational | 85°C 500h | |
| High Temp.operational | 70°C 500h Load cond.:TYP | |
| Heat shock | -30°C to 85°C 30min.Each 100 Cycles | |
| Humidity (Non operational) | 40°C 90~95%RH 500h | |
| Vibration | 10~55Hz Amplitude 0.35mm or 49m/s ² Sweep:1min 30min each axis X,Y,Z | |
| Shock | 980m/s ² 6ms Harf-sine pulse 1 time each axis ±X,Y,Z | |

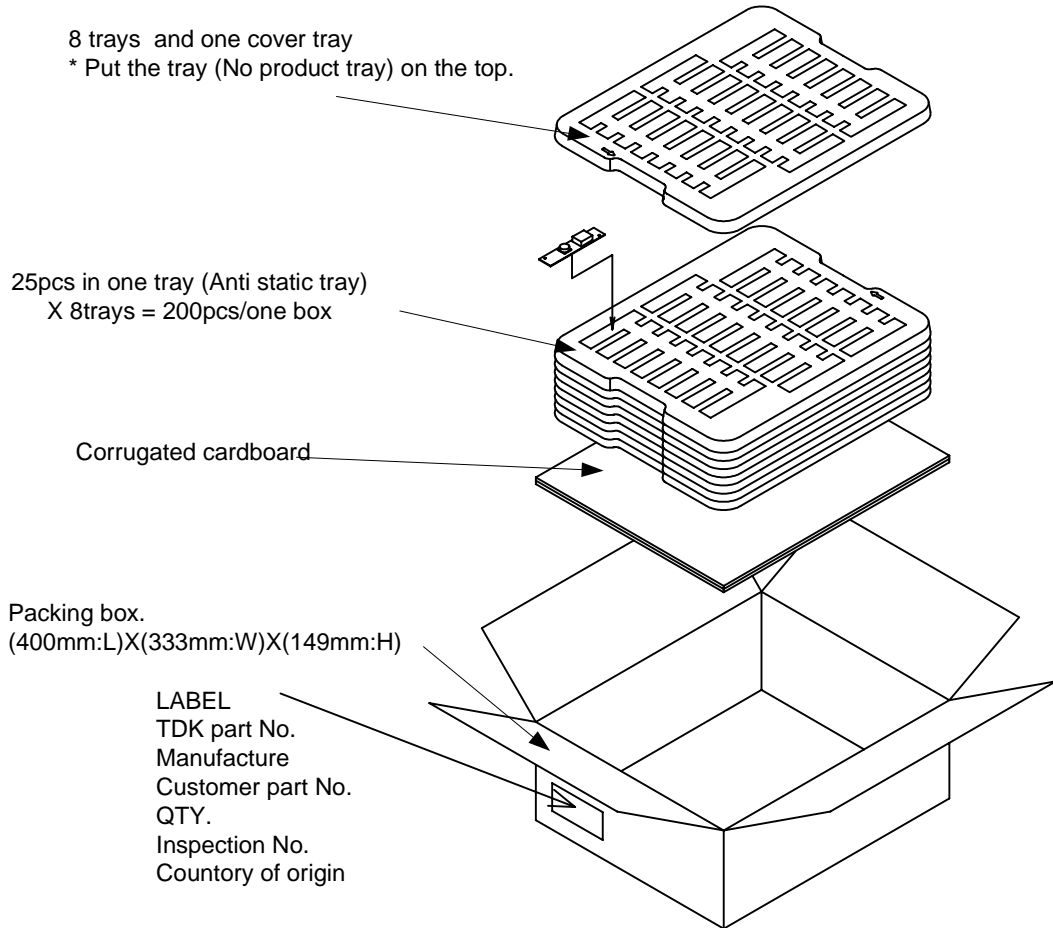
| No. | MATERIALS NAME | QU | MATERIAL | REMARK |
|-------------------------------|----------------|-------------|----------|--------|
| PRODUCT NAME or MODEL,TITLE | | | | |
| DC-AC INVERTER CXA-L0612B-VxL | | | | |
| NAME OF DRAWING | | DRAWING No. | | PAGE |
| PRODUCT DRAWING | | CTR-2523-A | | 7 |

[6] Packing and Marking

A shipping box is packaged to avoid from damage. Following items are printed on the box.

- 6-1. TDK part No. (ex) CXA-L0612B-VJL
- 6-2. Manufacture TDK
- 6-3. Customer part No.
- 6-4. QTY.
- 6-5. Inspection No.
- 6-6. Country of origin

Packing style as under Fig. (200 going in with a standard.)



[7] Others

7-1. Test conditions

Unless otherwise specified, the temperature to be (20±15)°C and humidity to be (65±20) %RH.

7-2. Warranty

Warranty shall be for one year after delivery, and those products causing failure during the warranty period and which failures are attributed to the manufacturer's responsibility shall be replaced at no charge.

7-3. Disposition for non-conforming lots

Non-conforming lots, when occurred, shall be discussed and decided upon between both parties.

7-4. MTTF

MTTF which calculated according to MIL-HDBK-217-F is as follows.

TEMPERATURES 25°C
MTTF 3110000 hours or more

7-5. Others

When any doubt arises about this specification, it shall be discussed and decided upon between both parties.

| No. | MATERIALS NAME | QU | MATERIAL | REMARK |
|-------------------------------|-----------------|----|-------------|--------|
| PRODUCT NAME or MODEL, TITLE | | | | |
| DC-AC INVERTER CXA-L0612B-VxL | | | | |
| TDK CORPORATION | NAME OF DRAWING | | DRAWING No. | PAGE |
| | PRODUCT DRAWING | | CTR-2523-A | 8 |